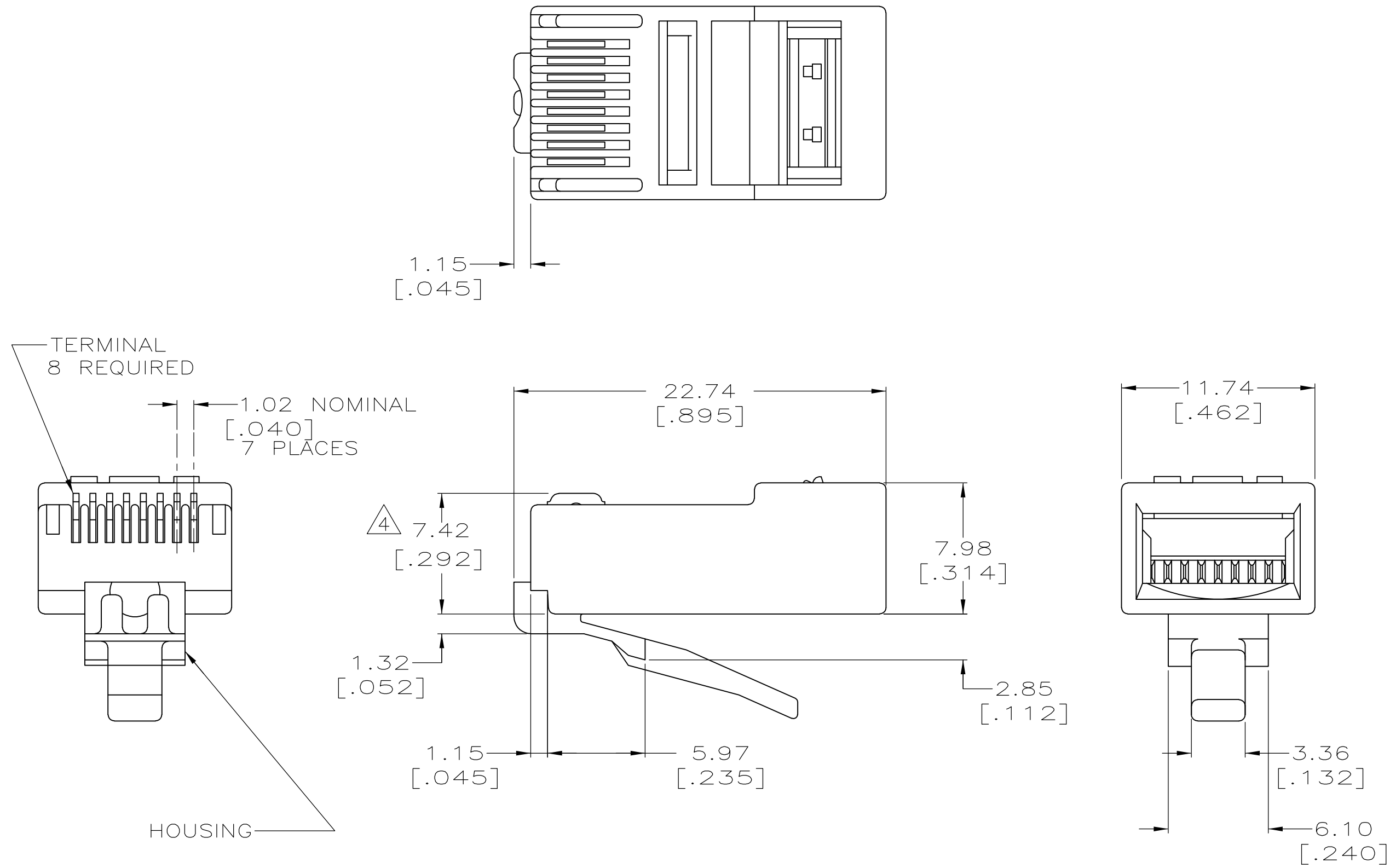


THIS DRAWING IS UNPUBLISHED. RELEASED FOR PUBLICATION
 © COPYRIGHT BY TYCO ELECTRONICS CORPORATION. ALL RIGHTS RESERVED.

| LOC | DIST | REVISIONS | | | | | |
|-----|------|-----------|-----|---------------------------|---------|-----|------|
| HM | 00 | P | LTR | DESCRIPTION | DATE | DWN | APVD |
| | | U | | ECO-06-021606 | 13OCT06 | JM | CD |
| | | V | | OBS -1, REV-ECO-07-021025 | 11DEC07 | LH | BM |
| | | W | | REV ECO-08-007212 | 31MAR08 | LH | BM |

- 1 MATERIAL: HOUSING-POLYCARBONATE,CLEAR. TERMINAL-0.36[.014] THICK PHOSPHOR BRONZE PLATED WITH 1.27μm[.000050] THICK GOLD IN LOCALIZED GOLD PLATE AREA, GOLD FLASH OVER THE REMAINDER, OVER 2.54μm[.000100] THICK NICKEL UNDERPLATE.
- 2 DIMENSIONS ARE MAXIMUM UNLESS OTHERWISE SPECIFIED.
- 3. PLUG WILL ACCEPT 0.74-0.99[.029-.039] DIAMETER STRANDED WIRE, 26 OR 28 AWG, WITH A 5.34[.210] DIAMETER MAXIMUM JACKET.
- 4 TERMINATED DIMENSION 6.15[.242] MAXIMUM.
- 5 10 ASSEMBLIES PER PACKAGE
- 6 10,000 ASSEMBLIES PER PACKAGE.
- 7 500 ASSEMBLIES PER PACKAGE.
- 8 100 ASSEMBLIES PER PACKAGE.
- 9 25 ASSEMBLIES PER PACKAGE.
- 10 SEE RESTRICTED CUSTOMER DRAWING 5-554169-5.
- 11 100 ASSEMBLIES PER PACKAGE.



| | | |
|--------------------------|----------|------------|
| SUPERSEDED BY 5-554169-4 | 11 | 6-554169-5 |
| SUPERSEDED BY 5-554169-4 | 5 | 6-554169-3 |
| | - | 10 |
| | 9 | 5-554169-4 |
| | 8 | 5-554169-3 |
| | 7 | 5-554169-2 |
| OBSELETE | 6 | 5-554169-1 |
| | PACKAGED | PART NO |

| | | | | | |
|--|--|------------------|---------|------------------------------|----------|
| THIS DRAWING IS A CONTROLLED DOCUMENT. | | DWN | 8-30-93 | Tyco Electronics Corporation | |
| DIMENSIONS: mm [INCHES] | | YTP/JTA | | Harrisburg, PA 17105-3608 | |
| TOLERANCES UNLESS OTHERWISE SPECIFIED: | | CHK | 9-15-93 | C.WHITT | |
| 0 PLC ± - | | APVD | 9-20-93 | J.TONEY | |
| 1 PLC ± - | | PRODUCT SPEC | | 108-1163 | |
| 2 PLC ± - | | APPLICATION SPEC | | 114-6016 | |
| 3 PLC ± - | | WEIGHT | | SIZE | A2 |
| 4 PLC ± - | | FINISH | | CAGE CODE | 00779 |
| ANGLES ± - | | | | DRAWING NO | C=554169 |
| FINISH | | | | RESTRICTED TO | - |
| - 1 | | | | SCALE | 4:1 |
| | | | | SHEET | 1 of 1 |
| | | | | REV | W |